

# WATERTIGHT JUNCTION BOXES WITH HIGH CAPACITY BOTTOM



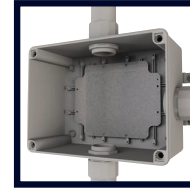
### High capacity

The smooth walls (without ribs) make it easy to assemble conduits with diameters up to 50mm. The considerable space inside allows connections and automation equipment to be housed.



### Multi-function screw

The innovative closure screws with their spherical head, in insulating material, allow the hinged opening of the lid without the need for any additional accessories; this facilitates both wiring and maintenance operations. What's more, the screws can be plumbed so that the boxes cannot be accessed.



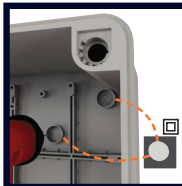
### Easy installation

The special retracted layout of the functional ribs on the back of the junction bottom makes it easier to couple any large-diameter conduits and, from size 240x190x130mm, makes it possible to fix bottom plates of even smaller size.



### Versatile

The boxes can house DIN rails on the bottom, inserted both vertically and horizontally in a barycentric position; from size 240x190x130mm, up to 3 DIN rails with a 125mm step can be housed.



### Practical and sturdy

In the two largest sizes, in addition to the classic installation solutions using fixing brackets and a screw or wall plug (in all the versions), there are also special locations on the bottom for quick fixing using a "riveter".



### Modular

For all boxes with a high capacity bottom, it is possible to create both horizontal and vertical sets, thanks to the special coupling element (GW44620) that maintains their degree of protection unchanged.



With cable glands or smooth walls and a shallow cover for junctions



With a deep lid for command devices or non-standard equipment



With high capacity bottom for highly electrified systems



With a transparent lid for electronics and control systems



With a red bottom and a grey lid, for safety circuits

	44 CE RANGE - SURFACE-MOUNTING JUNCTION BOXES								44 CE RANGE - SURFACE-MOUNTING JUNCTION BOXES																					
	GW PLAST 75				GW PLAST 75				GW PLAST 75				GW PLAST 120																	
Material	Thermo-pressure with ball: 85°C								Thermo-pressure with ball: 85°C								Thermo-pressure with ball: 110°C													
Heat resistance	Glow Wire test: 650°C - UL94: HB																													
Fire resistance	IP44				IP55				IP56				IP44				IP55				IP56									
Degree of protection	with cable glands		with cable glands		smooth		smooth		with cable glands		with cable glands		smooth		smooth		with cable glands		with cable glands		smooth		smooth							
Walls	standard		standard		standard		high capacity		standard		standard		standard		standard		standard		standard		standard		standard							
Depth of bottom	blank, shallow		1/4 turn screws, blank, shallow		blank, shallow		1/4 turn screws, blank, shallow		blank, shallow		blank, deep		blank, shallow		blank, shallow		blank, shallow		blank + deep		blank, shallow		blank + deep		transparent, shallow		transparent, deep			
Lid	blank, shallow		1/4 turn screws, blank, shallow		blank, shallow		1/4 turn screws, blank, shallow		blank, shallow		blank, deep		blank, shallow		blank, shallow		blank, shallow		blank + deep		blank, shallow		blank + deep		transparent, shallow		transparent, deep			
Dimensions (mm)	GW 44 001																													
0 65	GW 44 001																													
0 80	GW 44 002																													
80 x 80	GW 44 003																													
100 x 100	GW 44 024		GW 44 004		GW 44 234		GW 44 204		GW 44 214		GW 44 114				GW 44 054 GW 44 054 R				GW 44 274		GW 44 254		GW 44 404		GW 44 414					
120 x 80			GW 44 005				GW 44 205		GW 44 215								GW 44 055		GW 44 275		GW 44 255		GW 44 405		GW 44 415					
150 x 110	GW 44 026		GW 44 006		GW 44 236		GW 44 206		GW 44 216						GW 44 056 GW 44 056 R				GW 44 276		GW 44 256		GW 44 406		GW 44 416		GW 44 426		GW 44 436	
190 x 140			GW 44 007				GW 44 207		GW 44 217		GW 44 117		GW 44 137				GW 44 057		GW 44 277		GW 44 257		GW 44 407		GW 44 417		GW 44 427		GW 44 437	
240 x 190			GW 44 008				GW 44 208		GW 44 218		GW 44 118		GW 44 138				GW 44 058		GW 44 278		GW 44 258		GW 44 408		GW 44 418		GW 44 428		GW 44 438	
300 x 220			GW 44 009				GW 44 209		GW 44 219		GW 44 119		GW 44 139				GW 44 059		GW 44 279		GW 44 259		GW 44 409		GW 44 419		GW 44 429		GW 44 439	
380 x 300			GW 44 010				GW 44 210		GW 44 220		GW 44 120		GW 44 140				GW 44 060		GW 44 280		GW 44 260		GW 44 410		GW 44 420		GW 44 430		GW 44 440	
460 x 380			GW 44 011				GW 44 211		GW 44 221								GW 44 061		GW 44 281		GW 44 261		GW 44 411		GW 44 421		GW 44 431		GW 44 441	

In bold: versions with halogen-free material  
In red: versions with red back-mounting base and grey lid.  
For the dimensions, Accessory range, and further information, refer to the technical catalogue or the Internet site [www.gewiss.com](http://www.gewiss.com)

NEWS: available from June 2011

# 44 CE RANGE

TECHNOPOLYMER SURFACE MOUNTING WATERTIGHT JUNCTION BOXES



		44 CE RANGE - SURFACE-MOUNTING JUNCTION BOXES						
Heat resistance		GW PLAST 75 (TP 85°C)					GW PLAST 120 (TP 120°C)	
Fire resistance		GWT 650°C - UL 94 : HB <span style="color: green;">■</span> GWT 960°C - UL 94: VO <span style="color: orange;">■</span>					GWT 650° C - UL 94 : HB <span style="color: green;">■</span>	
Characteristics		IP 44 with cable entries	IP 55 1/4 turn with cable entries	IP 55 1/4 turn with smooth walls	IP 55 with cable entries	IP 56 with smooth walls	IP 56 smooth walls blank cover	IP 56 smooth walls transparent cover
Dimensions (mm)	Cover							
	Ø 65	shallow	GW 44 001 <del>GW 44 051</del> <del>GW 44 051R</del>					
Ø 80	shallow	GW 44 002 GW 44 052						
80 x 80	shallow	GW 44 003 <del>GW 44 053</del> <del>GW 44 053R</del>						
100 x 100	shallow		GW 44 024 <del>GW 44 054</del> <del>GW 44 054R</del>	<b>GW 44 234</b>	GW 44 004	<b>GW 44 204</b> GW 44 274	<b>GW 44 404</b>	
	deep					<b>GW 44 214</b> GW 44 254	<b>GW 44 414</b>	
120 x 80	shallow				GW 44 005 GW 44 055	<b>GW 44 205</b> GW 44 275	<b>GW 44 405</b>	
	deep					<b>GW 44 215</b> GW 44 255	<b>GW 44 415</b>	
150 x 110	shallow		GW 44 026 <del>GW 44 056</del> <del>GW 44 056R</del>	<b>GW 44 236</b>	GW 44 006	<b>GW 44 206</b> GW 44 276	<b>GW 44 406</b>	<b>GW 44 426</b>
	deep					<b>GW 44 216</b> GW 44 256	<b>GW 44 416</b>	<b>GW 44 436</b>
190 x 140	shallow				GW 44 007 GW 44 057	<b>GW 44 207</b> GW 44 277	<b>GW 44 407</b>	<b>GW 44 427</b>
	deep					<b>GW 44 217</b> GW 44 257	<b>GW 44 417</b>	<b>GW 44 437</b>
240 x 190	shallow				GW 44 008 GW 44 058	<b>GW 44 208</b> GW 44 278	<b>GW 44 408</b>	<b>GW 44 428</b>
	deep					<b>GW 44 218</b> GW 44 258	<b>GW 44 418</b>	<b>GW 44 438</b>
300 x 220	shallow				GW 44 009 GW 44 059	<b>GW 44 209</b> GW 44 279	<b>GW 44 409</b>	<b>GW 44 429</b>
	deep					<b>GW 44 219</b> GW 44 259	<b>GW 44 419</b>	<b>GW 44 439</b>
380 x 300	shallow				GW 44 010 GW 44 060	<b>GW 44 210</b> GW 44 280	<b>GW 44 410</b>	<b>GW 44 430</b>
	deep					<b>GW 44 220</b> GW 44 260	<b>GW 44 420</b>	<b>GW 44 440</b>
460 x 380	shallow				GW 44 011 GW 44 061	<b>GW 44 211</b> GW 44 281	<b>GW 44 411</b>	<b>GW 44 431</b>
	deep					<b>GW 44 221</b> GW 44 261	<b>GW 44 421</b>	<b>GW 44 441</b>

LEGEND: ■ GWT 650°C - UL94 : HB ■ GWT 960°C - UL94: VO

IN BOLD: versions with halogen-free material

IN RED: versions with red walls and a grey lid

44 CE RANGE

## 44 CE - WALL BOXES IN GW PLAST® 75; GWT 650°C

### TECHNICAL CHARACTERISTICS

Standard: IEC 60670-1; IEC 60670-22; CEI 23-48	Material: GW PLAST 75, versions with smooth wall, Halogen-Free according to EN 50267-2-2
Degree of protection: IP 44; IP 55; IP 56	Impact resistance: IK 07 (Box IP 44) IK 08 (Box IP 55 e IP 56)
Protection against indirect contacts: Double insulation -	Resistance to abnormal heat and fire: Thermo-pressure with ball 85°C Glow wire test 650°C
Installation temperature: Max +60°C Min -25°C	

(\*) Full insulation to EN 61140 Standard, obtainable with screwcaps GW 44 622 or GW 44 623 or fixing brackets GW 44 621 in insulating material.

### BEHAVIOUR WITH CHEMICAL AND ATMOSPHERIC AGENTS

Saline solution	Acids		Bases		Solvents				Mineral oil	UV rays
	Concentrated	Diluted	Concentrated	Diluted	Hexane	Benzol	Acetone	Ethyl alcohol		
Resistant	Not resistant	Resistant	Resistant	Resistant	Limited resistance	Not resistant	Not resistant	Limited resistance	Limited resistance	Limited resistance

## 44 CE - WALL BOXES IN GW PLAST® 75; GWT 960°C

### TECHNICAL CHARACTERISTICS

Standard: IEC 60670-1; IEC 60670-22; CEI 23-48	Material: GW PLAST 75
Degree of protection: IP44; IP55; IP56	Impact resistance: IK 07 (IP 44 Box); IK 08 (IP 55 Box)
Protection against indirect contacts: Double insulation -	Resistance to abnormal heat and fire: Thermo-pressure with ball 85°C Glow wire test 960°C
Installation temperature: Max +60°C Min -25°C	

(\*) Full insulation to EN 61140 Standard, obtainable with screwcaps GW 44 622 or GW 44 623 or fixing brackets GW 44 621 in insulating material.

### BEHAVIOUR WITH CHEMICAL AND ATMOSPHERIC AGENTS

Saline solution	Acids		Bases		Solvents				Mineral oil	UV rays
	Concentrated	Diluted	Concentrated	Diluted	Hexane	Benzol	Acetone	Ethyl alcohol		
Resistant	Not resistant	Resistant	Resistant	Resistant	Limited resistance	Not resistant	Not resistant	Limited resistance	Limited resistance	Limited resistance

## 44 CE - WALL BOXES IN GW PLAST® 120, GWT 650°C FOR INDUSTRIAL APPLICATIONS

### TECHNICAL CHARACTERISTICS

Standard: IEC 60670-1; IEC 60670-22; CEI 23-48	Material: GW PLAST 120, Halogen-Free according to EN 50267-2-2
Degree of protection: IP 56	Impact resistance: IK 08
Protection against indirect contacts: Double insulation -	Resistance to abnormal heat and fire: Thermo-pressure with ball 120°C Glow wire test 650°C
Installation temperature: Max +60°C Min -25°C	

(\*) Full insulation to EN 61140 Standard, obtainable with screwcaps GW 44 622 or GW 44 623 or fixing brackets GW 44 621 in insulating material.

### BEHAVIOUR WITH CHEMICAL AND ATMOSPHERIC AGENTS

Saline solution	Acids		Bases		Solvents				Mineral oil	UV rays
	Concentrated	Diluted	Concentrated	Diluted	Hexane	Benzol	Acetone	Ethyl alcohol		
Resistant	Not resistant	Limited resistance	Limited resistance	Limited resistance	Limited resistance	Not resistant	Not resistant	Limited resistance	Limited resistance	Limited resistance

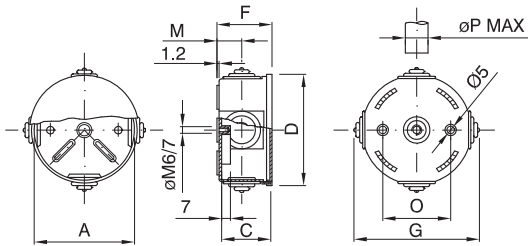
# 44 CE RANGE

TECHNOPOLYMER SURFACE MOUNTING WATERTIGHT JUNCTION BOXES



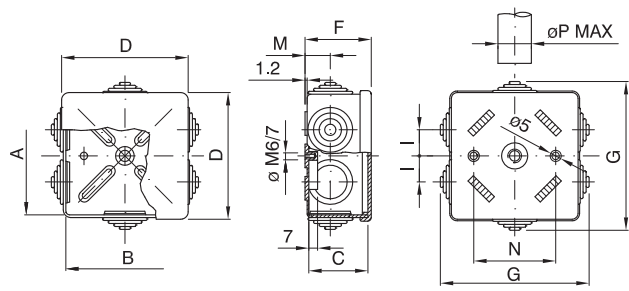
## DIMENSIONAL TABLES

### 44 CE RANGE - JUNCTION BOXES WITH CABLE ENTRIES



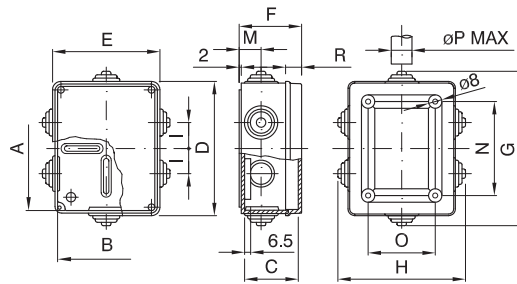
CODE	A	C	D	F	G	M	O	P
GW 44 001	65	35	72.5	40.5	88	17	40	20
GW 44 002	80	40	87.5	45.5	104.5	17	50	20

### 44 CE RANGE - JUNCTION BOXES WITH CABLE ENTRIES



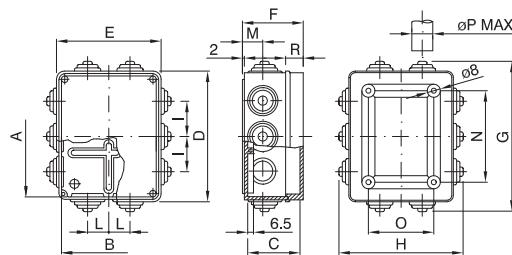
CODE	A	B	C	D	F	G	I	M	N	P
GW 44 003	80	80	40	87.5	45.5	110	20	17	50	20
GW 44 053										

### 44 CE RANGE - JUNCTION BOXES WITH CABLE ENTRIES



CODE	A	B	C	D	E	F	G	H	I	M	N	O	P	R
GW 44 004														
GW 44 024	100	100	52	108	108	58	130	130	20	23	64	64	25	15
GW 44 054														
GW 44 005	120	80	50	129	89	58	152.5	112.5	30	23	82	42	25	15
GW 44 055														

### 44 CE RANGE - JUNCTION BOXES WITH CABLE ENTRIES



CODE	A	B	C	D	E	F	G	H	I	L	M	N	O	P	R
GW 44 006															
GW 44 026	150	110	70	158	118	76	181.5	141	43	23	23	112	72	25	24
GW 44 056															

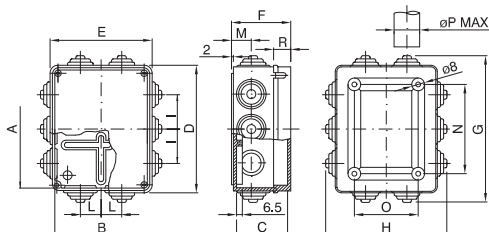
44 CE RANGE

# 44 CE RANGE

TECHNOPOLYMER SURFACE MOUNTING WATERTIGHT JUNCTION BOXES

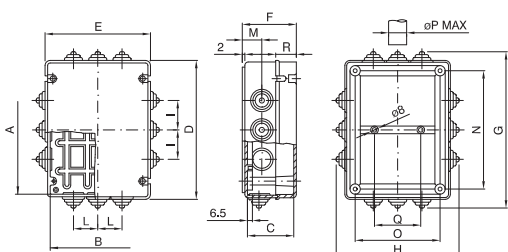


## 44 CE RANGE - JUNCTION BOXES WITH CABLE ENTRIES



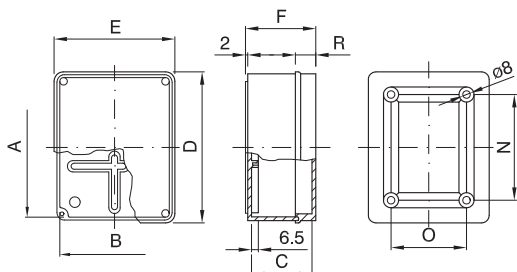
CODE	A	B	C	D	E	F	G	H	I	L	M	N	O	P	R
GW 44 007	190	140	70	200	154	79	226	180	52	26	29	144	98	32	25
GW 44 057															

## 44 CE RANGE - JUNCTION BOXES WITH CABLE ENTRIES



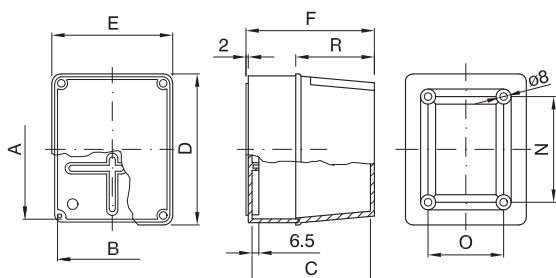
CODE	A	B	C	D	E	F	G	H	I	L	M	N	O	P	Q	R
GW 44 008	240	190	90	254	200	98	280	226	60	52	29	194	140	32	-	28
GW 44 058																
GW 44 009	300	220	120	316	236	128	350	270	62	60	37.5	250	170	40	-	49.5
GW 44 059																
GW 44 010	380	300	120	396	316	128	430	350	71	62	37.5	331	251	40	124	49.5
GW 44 060																
GW 44 011	460	380	120	474	396	128	508	430	65	71	37.5	380	310	40	300	49.5
GW 44 061																

## 44 CE RANGE - JUNCTION BOXES WITH SMOOTH WALLS - PLAIN LID



CODE	A	B	C	D	E	F	N	O	R
GW 44 204									
GW 44 234	100	100	50	109	109	58	64	64	15
GW 44 274									
GW 44 404									
GW 44 205									
GW 44 275	120	80	50	129	89	58	82	42	15
GW 44 405									
GW 44 206									
GW 44 236	150	110	70	159	119	76	112	72	24
GW 44 276									
GW 44 406									
GW 44 426									

## 44 CE RANGE - JUNCTION BOXES WITH SMOOTH WALLS - DEEP LID



CODE	A	B	C	D	E	F	N	O	R
GW 44 214									
GW 44 414	100	100	120	109	109	126	64	64	83
GW 44 254									
GW 44 215									
GW 44 415	120	80	120	129	89	126	82	42	83
GW 44 255									
GW 44 216									
GW 44 416	150	110	140	159	119	146	112	72	94
GW 44 436									
GW 44 256									

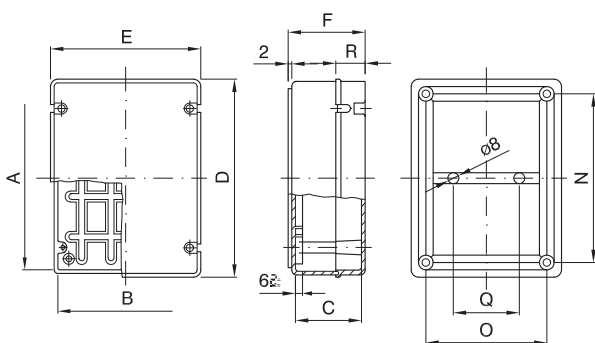
44 CE RANGE

# 44 CE RANGE

TECHNOPOLYMER SURFACE MOUNTING WATERTIGHT JUNCTION BOXES

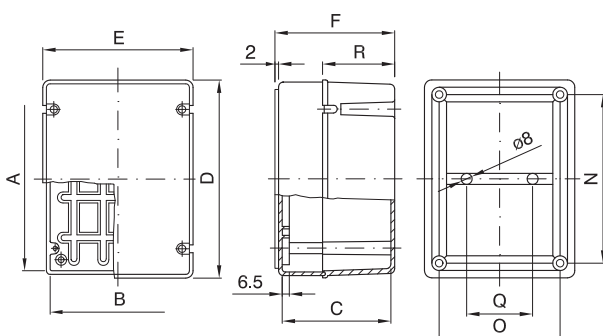


## 44 CE RANGE - JUNCTION BOXES WITH SMOOTH WALLS - PLAIN LID



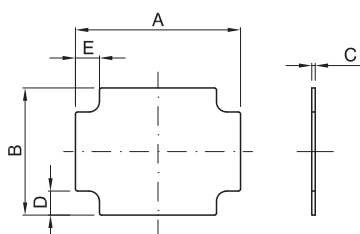
CODE	A	B	C	D	E	F	N	O	Q	R
GW 44 207										
GW 44 277	190	140	70	200	154	79	144	98	-	25
GW 44 407										
GW 44 427										
GW 44 208										
GW 44 278	240	190	90	254	200	98	194	140	-	28
GW 44 408										
GW 44 428										
GW 44 209										
GW 44 279	300	220	120	316	236	128	250	170	-	49.5
GW 44 409										
GW 44 429										
GW 44 210										
GW 44 280	380	300	120	396	316	128	331	251	124	49.5
GW 44 410										
GW 44 430										
GW 44 211										
GW 44 281	460	380	120	474	396	128	380	310	300	49.5
GW 44 411										
GW 44 431										

## 44 CE RANGE - JUNCTION BOXES WITH SMOOTH WALLS - DEEP LID



CODE	A	B	C	D	E	F	N	O	Q	R
GW 44 217										
GW 44 417	190	140	140	200	154	148	144	98	-	94
GW 44 437										
GW 44 257										
GW 44 218										
GW 44 418	240	190	160	254	200	167.5	194	140	-	97.5
GW 44 438										
GW 44 258										
GW 44 219										
GW 44 419	300	220	180	316	236	188	250	170	-	109.5
GW 44 439										
GW 44 259										
GW 44 220										
GW 44 420	380	300	180	396	316	188	331	251	124	109.5
GW 44 440										
GW 44 260										
GW 44 221										
GW 44 421	460	380	180	474	396	188	380	310	300	109.5
GW 44 441										
GW 44 261										

## 44 CE RANGE - BACK MOUNTING PLATES



CODE	A	B	C	D	E
GW 44 615	170	130	1.5	26	26
GW 44 625			4		
GW 44 616	230	170	1.5	28	28
GW 44 626			4		
GW 44 617	287	207	1.5	28.5	28.5
GW 44 627			4		
GW 44 618	363	283	2	26.5	56.5
GW 44 628			4		
GW 44 619	438	360	2	55	44
GW 44 629			4		

44 CE RANGE